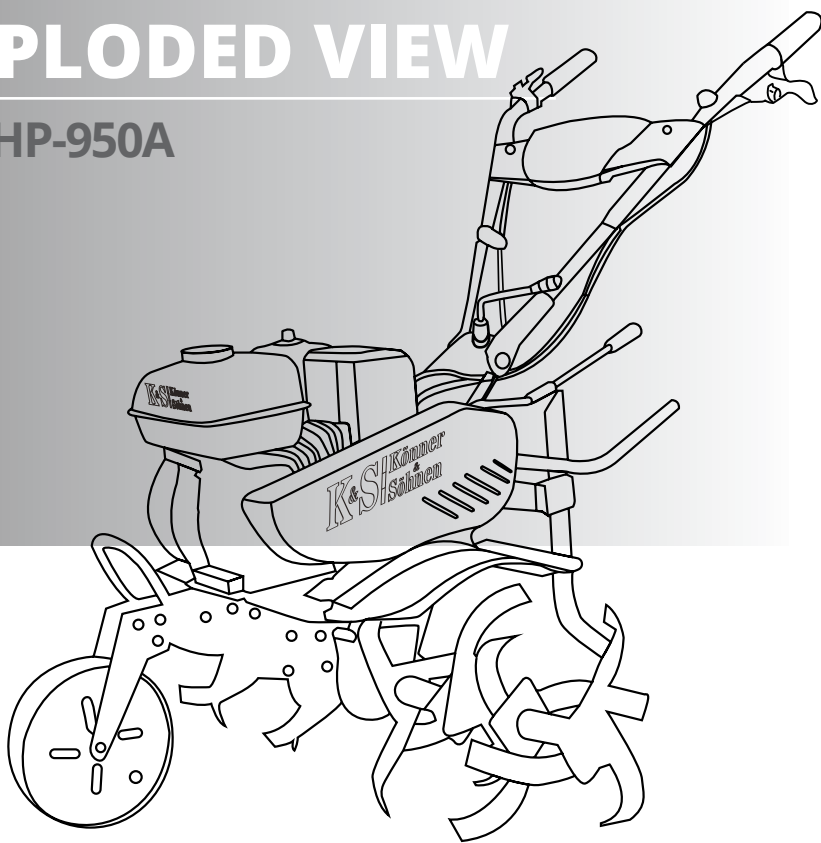


GASOLINE TILLER EXPLODED VIEW

KS 7HP-950A



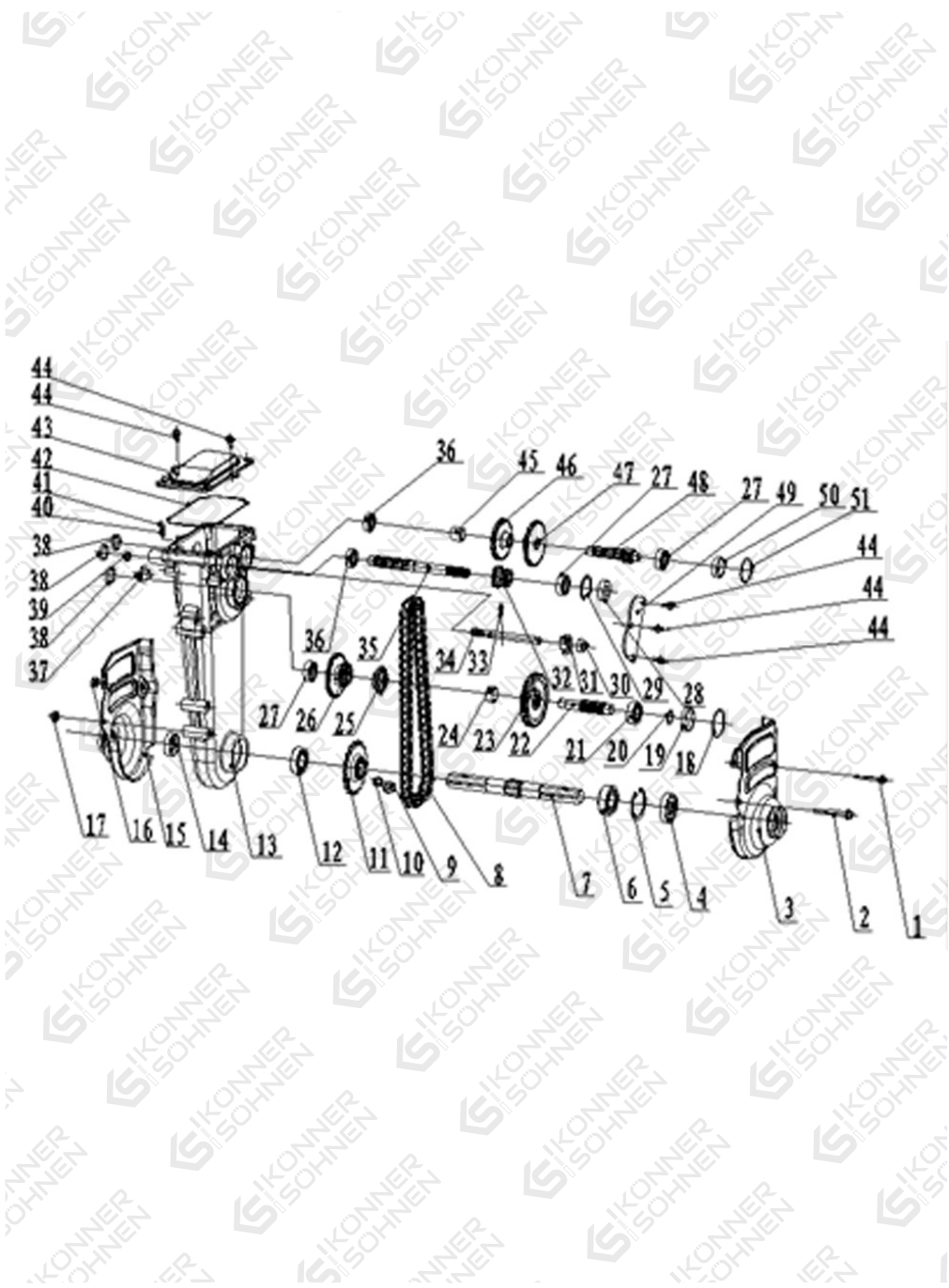
TRADITIONELLE DEUTSCHE QUALITÄT

CONTENTS

| | |
|--------------------------------|----|
| 1. Gearbox assembly parts..... | 2 |
| 2. Engine power part..... | 5 |
| 3. Transmission part..... | 6 |
| 4. Support frame part..... | 7 |
| 5. Armrest seat part..... | 8 |
| 6. Armrest part..... | 9 |
| 7. Fender part | 10 |
| 8. Connecting frame parts..... | 11 |
| 9. Blades part..... | 12 |

! This material is for informational purposes only and is not an instruction. The connection of the equipment in each case must be performed by a certified electrician, in accordance with local laws and regulations. Before connecting, we urge you to read the recommendations in the manual for the generator. The manufacturer is not responsible for improper connection of equipment, and is not responsible for possible material and physical damage that may occur as a result of improper installation, connection or operation of equipment.

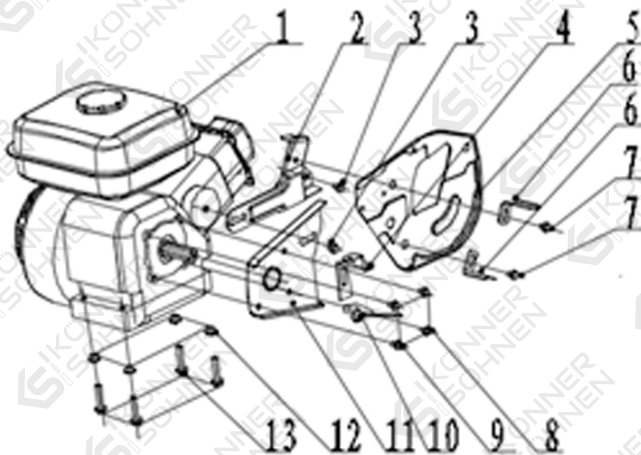
1. GEARBOX ASSEMBLY PARTS



| No | REF. No | DESCRIPTION | QTY |
|----|------------------|--|-----|
| 1 | KS 7HP-950A.1.1 | Hexagonal bolt M6×45 | 1 |
| 2 | KS 7HP-950A.1.2 | Hexagonal bolt M8×60 | 1 |
| 3 | KS 7HP-950A.1.3 | Left protection cover for gearbox | 1 |
| 4 | KS 7HP-950A.1.4 | Oil seal $\phi 25 \times \phi 52 \times 9$ | 1 |
| 5 | KS 7HP-950A.1.5 | Retaining ring 52 | 1 |
| 6 | KS 7HP-950A.1.6 | Deep groove bearing 6205 | 1 |
| 7 | KS 7HP-950A.1.7 | Hexagonal output shaft | 1 |
| 8 | KS 7HP-950A.1.8 | Chain (50 groups) | 1 |
| 9 | KS 7HP-950A.1.9 | Hexagon flange bolt M10×1.25×12 | 1 |
| 10 | KS 7HP-950A.1.10 | Aluminum flat pad | 1 |
| 11 | KS 7HP-950A.1.11 | Driven sprocket | 1 |
| 12 | KS 7HP-950A.1.12 | Deep groove bearing 6005 | 1 |
| 13 | KS 7HP-950A.1.13 | Gearbox body | 1 |
| 14 | KS 7HP-950A.1.14 | Oil seal $\phi 25 \times \phi 41 \times 9$ | 1 |
| 15 | KS 7HP-950A.1.15 | Right protection cover for gearbox | 1 |
| 16 | KS 7HP-950A.1.16 | Hex flange nut M6 | 1 |
| 17 | KS 7HP-950A.1.17 | Hex flange nut M8 | 1 |
| 18 | KS 7HP-950A.1.18 | O-ring $\phi 45 \times 2.65$ | 1 |
| 19 | KS 7HP-950A.1.19 | Drive shaft bushing II $\phi 36 \times \phi 41 \times 7$ | 1 |
| 20 | KS 7HP-950A.1.20 | Gasket $\phi 17.5 \times \phi 26 \times 1$ | 1 |
| 21 | KS 7HP-950A.1.21 | Deep groove bearing 6203 | 1 |
| 22 | KS 7HP-950A.1.22 | Drive shaft | 1 |
| 23 | KS 7HP-950A.1.23 | Drive gear | 1 |
| 24 | KS 7HP-950A.1.24 | Drive shaft bushing I $\phi 20.5 \times \phi 26 \times 11$ | 1 |
| 25 | KS 7HP-950A.1.25 | Driving sprocket | 1 |
| 26 | KS 7HP-950A.1.26 | Reverse duplicate gear | 1 |
| 27 | KS 7HP-950A.1.27 | Deep groove bearing 6202 | 3 |
| 28 | KS 7HP-950A.1.28 | Oil seal $\phi 15 \times \phi 35 \times 7$ | 1 |
| 29 | KS 7HP-950A.1.29 | Retaining ring 35 | 1 |
| 30 | KS 7HP-950A.1.30 | Oil seal $\phi 12 \times \phi 22 \times 6$ | 1 |

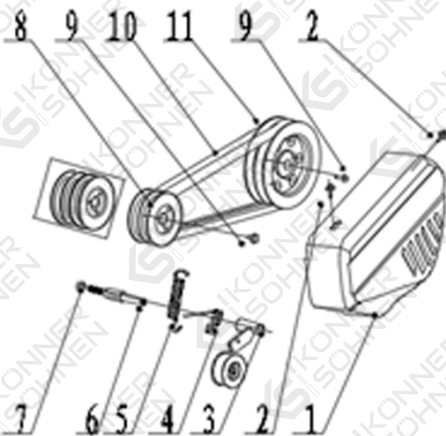
| No | REF. No | DESCRIPTION | QTY |
|----|------------------|--------------------------------------|-----|
| 31 | KS 7HP-950A.1.31 | Shift fork | 1 |
| 32 | KS 7HP-950A.1.32 | Main duplicate gear | 1 |
| 33 | KS 7HP-950A.1.33 | Hexagon flange bolt M6×20 | 1 |
| 34 | KS 7HP-950A.1.34 | Shift fork shaft | 1 |
| 35 | KS 7HP-950A.1.35 | Main shaft | 1 |
| 36 | KS 7HP-950A.1.36 | Deep groove bearing 6002 | 2 |
| 37 | KS 7HP-950A.1.37 | Dipstick | 1 |
| 38 | KS 7HP-950A.1.38 | Dustproof rubberφ28×φ24×6 | 3 |
| 39 | KS 7HP-950A.1.39 | Dustproof rubberφ16×φ13.5×5.5 | 1 |
| 40 | KS 7HP-950A.1.40 | Limit spring for fork φ1×φ6×20 | 1 |
| 41 | KS 7HP-950A.1.41 | Steel ball φ6.3 | 1 |
| 42 | KS 7HP-950A.1.42 | Sealing ring | 1 |
| 43 | KS 7HP-950A.1.43 | Gearbox cover | 1 |
| 44 | KS 7HP-950A.1.44 | Hexagon flange bolt M6×12 | 5 |
| 45 | KS 7HP-950A.1.45 | Countershaft bushing lφ18.5×23×21 | 1 |
| 46 | KS 7HP-950A.1.46 | First gear | 1 |
| 47 | KS 7HP-950A.1.47 | Second gear | 1 |
| 48 | KS 7HP-950A.1.48 | Secondary shaft | 1 |
| 49 | KS 7HP-950A.1.49 | Sealing oil plate | 1 |
| 50 | KS 7HP-950A.1.50 | Countershaft bushing lφ30×φ35×7 | 1 |
| 51 | KS 7HP-950A.1.51 | O-ring φ40×2.65 | 1 |

2. ENGINE POWER PART



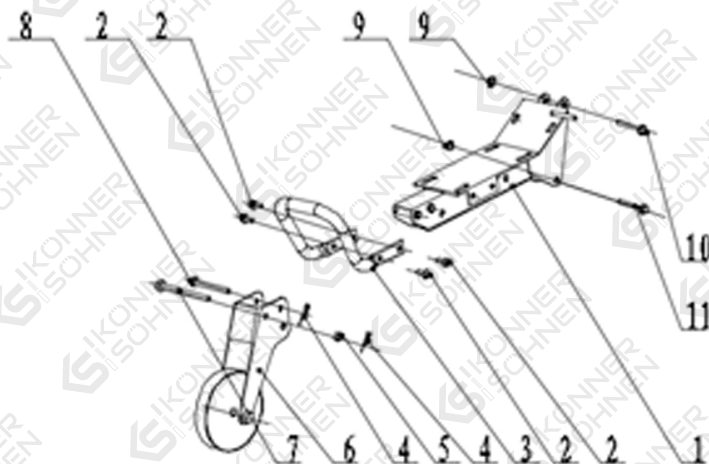
| No | REF. No | DESCRIPTION | QTY |
|----|------------------|-----------------------------|-----|
| 1 | KS 7HP-950A.2.1 | Engine | 1 |
| 2 | KS 7HP-950A.2.2 | Tension cable bracket | 1 |
| 3 | KS 7HP-950A.2.3 | Hexagon flange bolt M8×12 | 2 |
| 4 | KS 7HP-950A.2.4 | Tensioner plate A | 1 |
| 5 | KS 7HP-950A.2.5 | Driven pulley bottom plate | 1 |
| 6 | KS 7HP-950A.2.6 | Tensioner plate C | 2 |
| 7 | KS 7HP-950A.2.7 | Hexagon flange bolt M6×12 | 2 |
| 8 | KS 7HP-950A.2.8 | Hexagon flange bolt M8×16 | 2 |
| 9 | KS 7HP-950A.2.9 | Hexagon flange bolt M8×12 | 2 |
| 10 | KS 7HP-950A.2.10 | Tensioner plate B | 1 |
| 11 | KS 7HP-950A.2.11 | Driving pulley bottom plate | 1 |
| 12 | KS 7HP-950A.2.12 | Hexagon flange nut M8 | 4 |
| 13 | KS 7HP-950A.2.13 | Hexagon flange bolt M8×35 | 4 |

3. TRANSMISSION PART



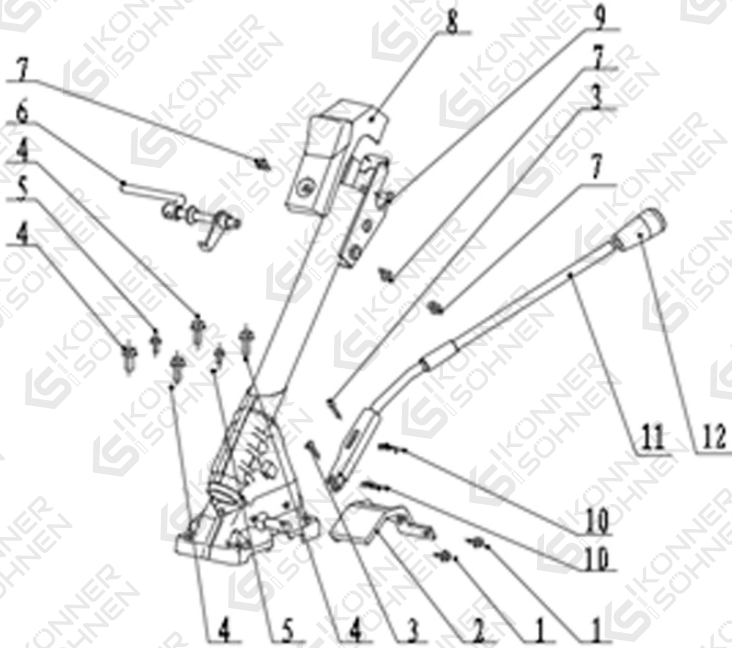
| No | REF. No | DESCRIPTION | QTY |
|----|------------------|---------------------------|-----|
| 1 | KS 7HP-950A.3.1 | Belt cover | 1 |
| 2 | KS 7HP-950A.3.2 | Hexagon flange bolt M6×10 | 2 |
| 3 | KS 7HP-950A.3.3 | Tensioner assembly | 1 |
| 4 | KS 7HP-950A.3.4 | Reset spring | 1 |
| 5 | KS 7HP-950A.3.5 | Tension spring | 1 |
| 6 | KS 7HP-950A.3.6 | Tension wheel shaft | 1 |
| 7 | KS 7HP-950A.3.7 | Hexagon flange nut M8 | 1 |
| 8 | KS 7HP-950A.3.8 | Driving pulley | 1 |
| 9 | KS 7HP-950A.3.9 | Hexagon flange bolt M8×20 | 2 |
| 10 | KS 7HP-950A.3.10 | V belt | 2 |
| 11 | KS 7HP-950A.3.11 | Driven pulley | 1 |

4. SUPPORT FRAME PART



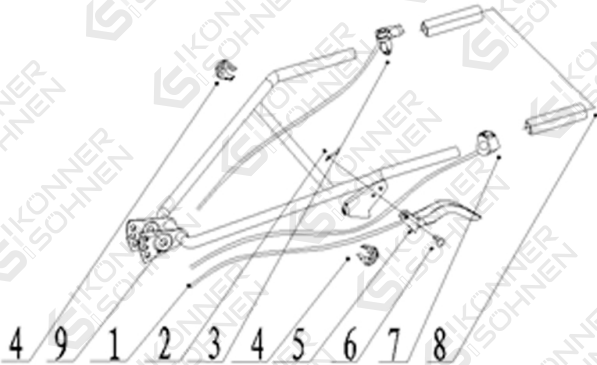
| No | REF. No | DESCRIPTION | QTY |
|----|------------------|---------------------------|-----|
| 1 | KS 7HP-950A.4.1 | Support for engine | 1 |
| 2 | KS 7HP-950A.4.2 | Hexagon flange bolt M8×16 | 4 |
| 3 | KS 7HP-950A.4.3 | Bumper | 1 |
| 4 | KS 7HP-950A.4.4 | Pin $\Phi 2 \times 25$ | 2 |
| 5 | KS 7HP-950A.4.5 | Slotted nut M10 | 1 |
| 6 | KS 7HP-950A.4.6 | Front wheel | 1 |
| 7 | KS 7HP-950A.4.7 | Hexagon bolt M10×85 | 1 |
| 8 | KS 7HP-950A.4.8 | B pin 10×70 | 1 |
| 9 | KS 7HP-950A.4.9 | Hexagon flange nut M8 | 2 |
| 10 | KS 7HP-950A.4.10 | Hexagon flange bolt M8×65 | 1 |
| 11 | KS 7HP-950A.4.11 | Hexagon flange bolt M8×60 | 1 |

5. ARMREST SEAT PART



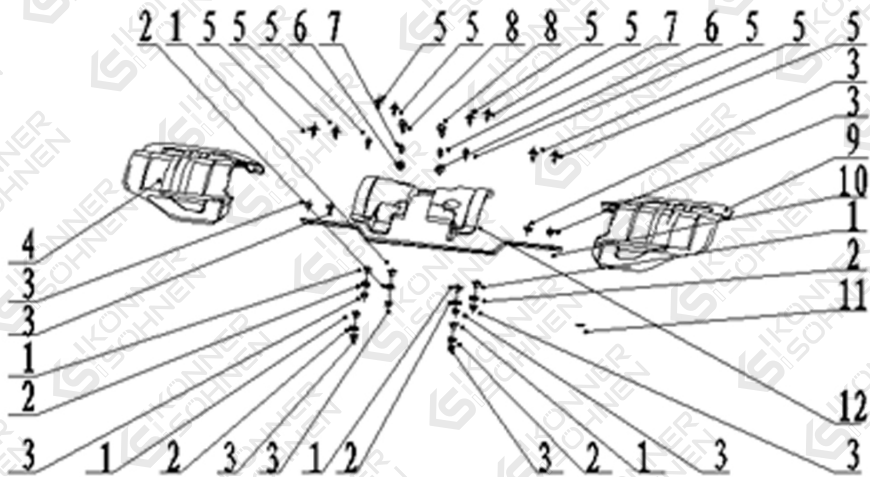
| No | REF. No | DESCRIPTION | QTY |
|----|------------------|-----------------------------|-----|
| 1 | KS 7HP-950A.5.1 | Hexagon flange bolt M6×12 | 2 |
| 2 | KS 7HP-950A.5.2 | Shift cover | 1 |
| 3 | KS 7HP-950A.5.3 | Pin 5×24 | 2 |
| 4 | KS 7HP-950A.5.4 | Hexagon flange bolt M8×20 | 4 |
| 5 | KS 7HP-950A.5.5 | Hexagon flange bolt M6×16 | 2 |
| 6 | KS 7HP-950A.5.6 | Lock handle | 1 |
| 7 | KS 7HP-950A.5.7 | Cross recessed screw ST5×10 | 3 |
| 8 | KS 7HP-950A.5.8 | Armrest seat cover | 1 |
| 9 | KS 7HP-950A.5.9 | Armrest seat | 1 |
| 10 | KS 7HP-950A.5.10 | R pin ϕ 1.2×6×27 | 2 |
| 11 | KS 7HP-950A.5.11 | Shift lever | 1 |
| 12 | KS 7HP-950A.5.12 | Handle rubber sleeve | 1 |

6. ARMREST PART



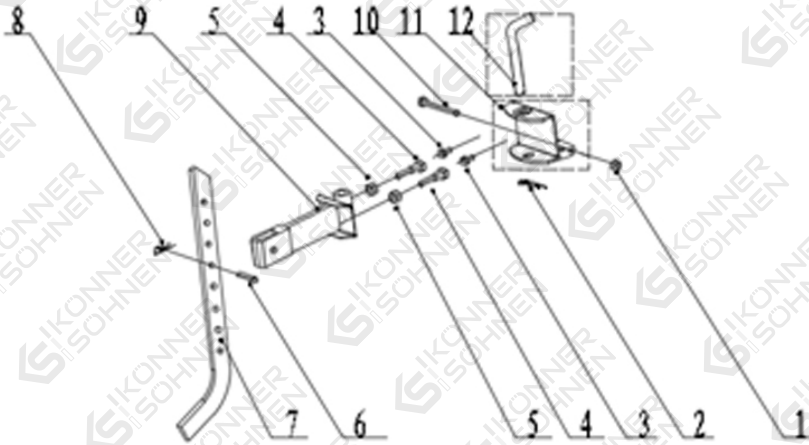
| No | REF. No | DESCRIPTION | QTY |
|----|-----------------|--------------------------|-----|
| 1 | KS 7HP-950A.6.1 | Clutch line | 1 |
| 2 | KS 7HP-950A.6.2 | Split pin 2x20 | 1 |
| 3 | KS 7HP-950A.6.3 | Throttle switch assembly | 1 |
| 4 | KS 7HP-950A.6.4 | Line card | 2 |
| 5 | KS 7HP-950A.6.5 | Clutch handle | 1 |
| 6 | KS 7HP-950A.6.6 | Pin 8x25 | 1 |
| 7 | KS 7HP-950A.6.7 | Flameout line | 1 |
| 8 | KS 7HP-950A.6.8 | Handrail rubber sleeve | 2 |
| 9 | KS 7HP-950A.6.9 | Armrest | 1 |

7. FENDER PART



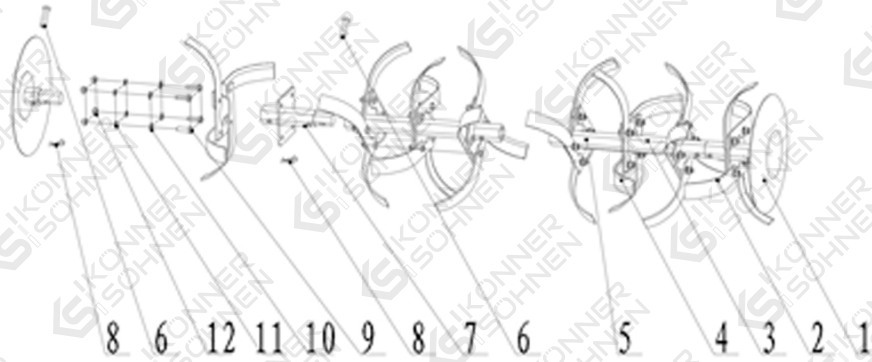
| No | REF. No | DESCRIPTION | QTY |
|----|------------------|---------------------------|-----|
| 1 | KS 7HP-950A.7.1 | Fender bushing | 6 |
| 2 | KS 7HP-950A.7.2 | Fender rubber stopper | 6 |
| 3 | KS 7HP-950A.7.3 | Hexagon flange nut M6 | 10 |
| 4 | KS 7HP-950A.7.4 | Left main fender 2mm | 1 |
| 5 | KS 7HP-950A.7.5 | Hexagon flange bolt M6x20 | 10 |
| 6 | KS 7HP-950A.7.6 | Hexagon flange nut M8 | 2 |
| 7 | KS 7HP-950A.7.7 | Inner fender bushing | 2 |
| 8 | KS 7HP-950A.7.8 | Hexagon flange bolt M8x25 | 2 |
| 9 | KS 7HP-950A.7.9 | Right main fender 2mm | 1 |
| 10 | KS 7HP-950A.7.10 | Fender rear bracket | 1 |
| 11 | KS 7HP-950A.7.11 | Paper pad for fender Ø6 | 10 |
| 12 | KS 7HP-950A.7.12 | Inner fender | 1 |

8. CONNECTING FRAME PART



| No | REF. No | DESCRIPTION | QTY |
|----|------------------|------------------------------|-----|
| 1 | KS 7HP-950A.8.1 | Hexagon flange nut M10 | 1 |
| 2 | KS 7HP-950A.8.2 | β type pin φ3×20×60 | 1 |
| 3 | KS 7HP-950A.8.3 | Hexagon flange bolt M8×20 | 2 |
| 4 | KS 7HP-950A.8.4 | Hexagon bolt M12×50 | 2 |
| 5 | KS 7HP-950A.8.5 | Hexagon flange face nut M12 | 2 |
| 6 | KS 7HP-950A.8.6 | B type pin 10×40 | 1 |
| 7 | KS 7HP-950A.8.7 | L-type resistance cultivator | 1 |
| 8 | KS 7HP-950A.8.8 | β type cotter pin φ2×9×38 | 1 |
| 9 | KS 7HP-950A.8.9 | Connection bracket | 1 |
| 10 | KS 7HP-950A.8.10 | Hexagon flange bolt M10×85 | 1 |
| 11 | KS 7HP-950A.8.11 | Trailer | 1 |
| 12 | KS 7HP-950A.8.12 | Trailer latch | 1 |

9. BLADES PART



| No | REF. No | DESCRIPTION | QTY |
|----|------------------|--|-----|
| 1 | KS 7HP-950A.9.1 | Disc | 2 |
| 2 | KS 7HP-950A.9.2 | Right dry blade | 16 |
| 3 | KS 7HP-950A.9.3 | Vice-cylinder | 2 |
| 4 | KS 7HP-950A.9.4 | Left dry blade | 16 |
| 5 | KS 7HP-950A.9.5 | Main cylinder | 2 |
| 6 | KS 7HP-950A.9.6 | B type pin 8x40 | 6 |
| 7 | KS 7HP-950A.9.7 | Vice-cylinder | 2 |
| 8 | KS 7HP-950A.9.8 | β type cotter pin $\varnothing 2 \times 9 \times 38$ | 6 |
| 9 | KS 7HP-950A.9.9 | Hexagon bolt M8x25 | 32 |
| 10 | KS 7HP-950A.9.10 | Flat pad 8 | 32 |
| 11 | KS 7HP-950A.9.11 | Spring pad 8 | 32 |
| 12 | KS 7HP-950A.9.12 | Hexagon nut M8 | 32 |

CONTACTS

konner-sohnen.com

Germany

info@dimaxgroup.de

Poland

info.pl@dimaxgroup.de

Ukraine

sales@ks-power.com.ua